

OSTEOTEC CBG™

Concentric bone graft system for the harvesting and grafting of an accurate bone dowel

Surgical Technique



- Tubular saws for autologous bone graft
- For extremity procedures including carpal and tarsal fusions
- Reduction of donor site morbidity
- Reduces operative time
- Easy application

Indications

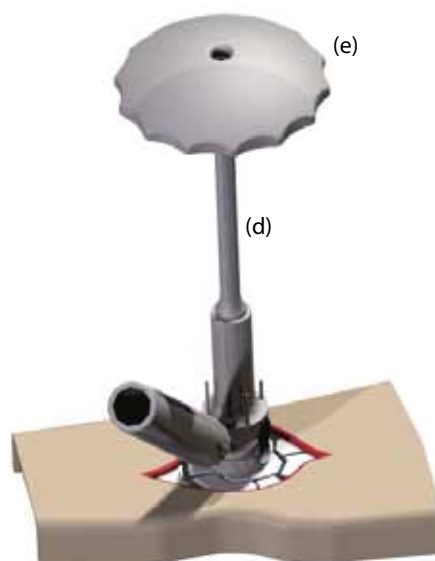
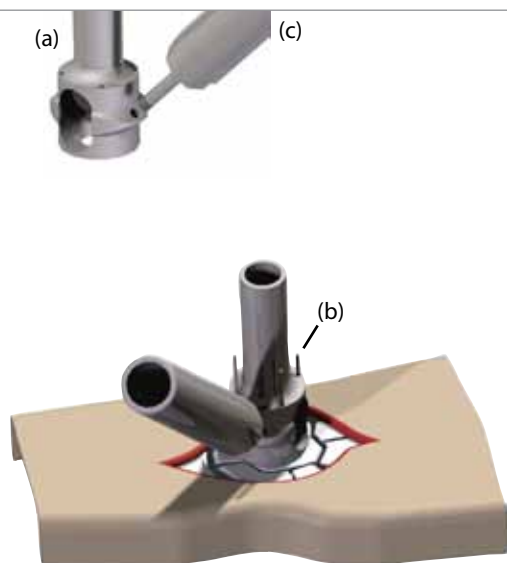
The instruments in the Concentric Bone Graft System are designed to aid fusion of bones to reduce pain due to arthritis and/or correct deformity or instability.

The device is indicated for use in:

- Wrist, Carpal, Metacarpal and Phalangeal fusion
- Ankle, Tarsal, Metatarsal and Phalangeal fusion
- Spine, Lumbar and Cervical fusion

The instruments can also be used in other treatments including:

- Removal of hardware fragments
- Excision bone biopsy
- Fracture management



1 The Grafting site

Prepare the grafting site

Expose the grafting site in the routine way.

Select either the large or small 'carpal' guide (a) as appropriate.

(Throughout the procedure, large and small instruments should only be used with their corresponding components)

Align the guide with the bone to be removed from the grafting site. Stability can be achieved by using either 1.1mm K-wires (b) to secure the guide or by screwing in the shaft remover handle (c), as required.

2 Remove the damaged bone

Assemble the appropriate sized saw (d) by screwing on the torque handle (e) and slotting into the 'carpal' guide.

(Saws sizes 1, 2, 3 and 4 are small and sizes 5, 6, 7 and 8 are large)

(The size 8 saw should not be used for the initial cut)
Make the saw cut by pushing downward and rotating the torque handle, holding the shaft remover handle steady if necessary.

Continue the cut to the required depth then gently rock the saw from side to side to loosen and dislodge the bone plug (f).

Contraindications

- Inadequate skin, bone and/or neurovascular status
- Physiologically or psychologically inadequate patient
- Presence of infection

For more information on our Biologic products related to grafting, please enquire using the details overleaf.



3 Disassemble

Remove the saw and 'carpal' guide from the grafting site and use the graft ejector (g) to push the bone plug (f) from the saw.

Disassemble the 'carpal' guide and saw. It may be necessary to use the shaft remover handle (c) to gain leverage in removing the torque handle.

4 The Harvest site

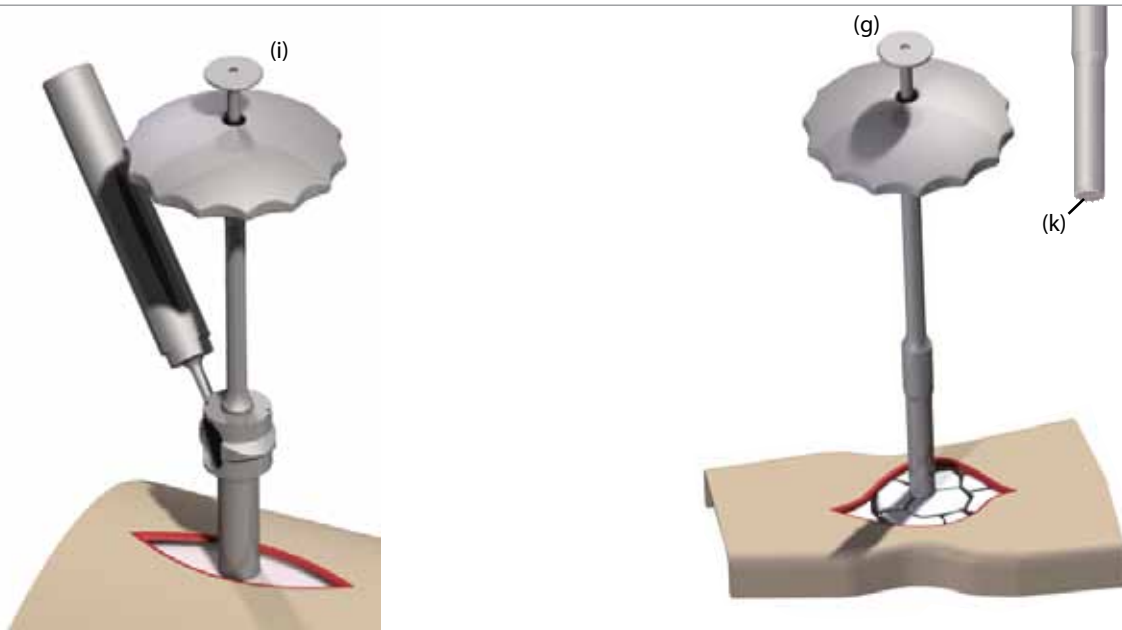
Prepare the harvest site

Expose the harvest site in the routine way.

Screw the torque handle onto the saw (h) one size larger than that used in the grafting site and slot the corresponding spike (i) down the centre of the saw. (If the size 4 saw was used for the initial cut then switch to using the large instruments, otherwise the same sized instruments should be used throughout)

Screw in the shaft remover handle (c) into the inverted 'carpal' guide (a) if considered necessary for stability.

Slot the corresponding soft tissue obturator (j) into the 'carpal' guide and work the assembly through the tissue to the bone.



5 Harvest the bone dowel

Remove the soft tissue obturator and insert the saw assembly into the 'carpal' guide.

Tap the head of the spike (i) to push it into the bone. Then push downward to make the saw cut applying a rotational force to the torque handle, holding the shaft remover handle steady if necessary.

After a sufficient number of rotations remove the spike then continue the cut as before until the required depth is reached.

Gently rock the saw from side to side to loosen and dislodge the bone dowel (k) being careful to try and keep it intact.

6 Insert the bone dowel

Remove the saw and dowel from the harvest site and transfer to the grafting site.

Use the graft ejector (g) and any other means to push and insert the dowel (k) into the previously created hole in the bone.

Optionally a Skeligraft® HA/TCP bone graft substitute dowel of the correct size can be used to backfill the void created in the harvest site if desired. See overleaf for size matching.

Using the Concentric Bone Graft System will create a void in the harvest site. An Osteotec Skeligraft® HA/TCP Bone graft substitute of the correct dowel size can be used to backfill the void if required. This may aid healing and reduce pain.

The dimensions of the Cylindrical Skeligraft® dowels have been designed to match the 8 Tube Saw Instrument sizes found in the CBG instrument set. The table below displays the 8 Tube sizes and the corresponding Skeligraft® sizes.



CBG Tube Saw		Skeligraft® Cylindrical Block Dimensions (mm)	
OST-CBG-01	Tube Saw Size 1	OST-BD-065-150	6.5 x 15
OST-CBG-02	Tube Saw Size 2	OST-BD-080-100	8.0 x 10
OST-CBG-03	Tube Saw Size 3	OST-BD-095-150	9.5 x 15
OST-CBG-04	Tube Saw Size 4	OST-BD-110-150	11.0 x 15
OST-CBG-05	Tube Saw Size 5	OST-BD-125-150	12.5 x 15
OST-CBG-06	Tube Saw Size 6	OST-BD-140-150	14.0 x 15
OST-CBG-07	Tube Saw Size 7	OST-BD-155-150	15.5 x 15
OST-CBG-08	Tube Saw Size 8	OST-BD-170-150	17.0 x 15

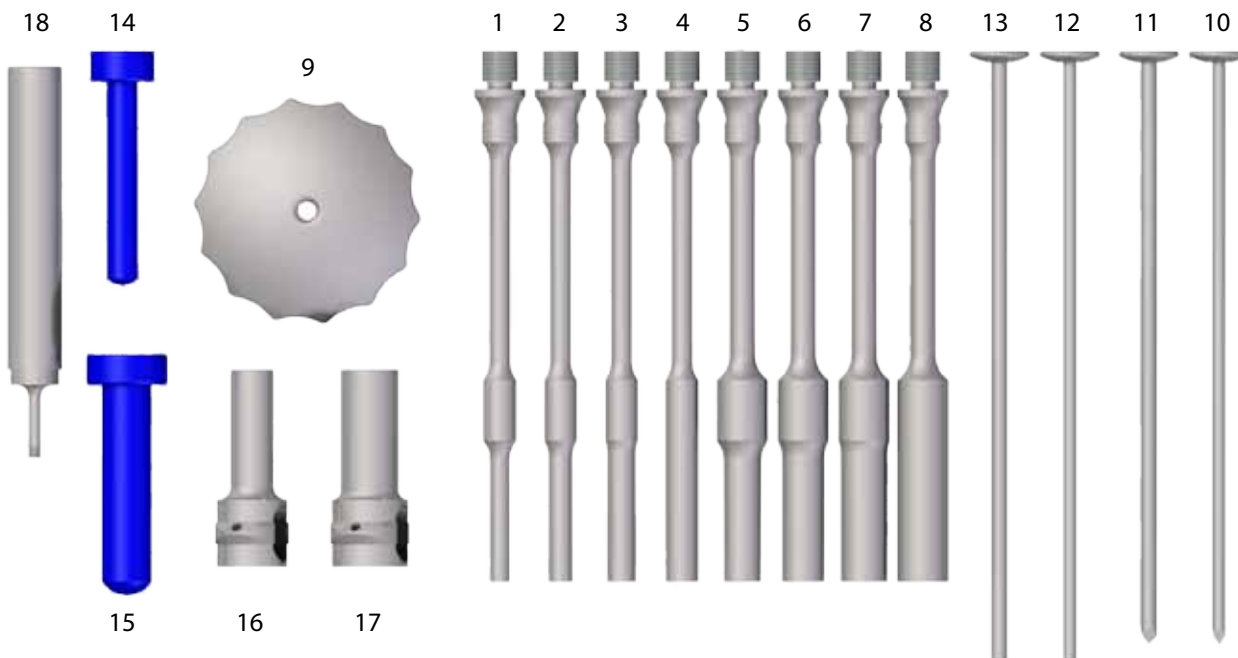
Other Related Products

Skelifil® - Nanocrystalline HA paste for the packing of bone voids



Pre-mixed and provided in a ready-to-use syringe, Skelifil® can be easily and effectively applied directly to the defect by hand.

Its viscous characteristics and paste-like consistency means contact with the bone is maximised. It is readily resorbable because of its non-sintered nature and ultra-high surface area.



Product

CBG Instruments

Catalogue No.	Description	
OST-CBG-01	Tube Saw Size 1	(1)
OST-CBG-02	Tube Saw Size 2	(2)
OST-CBG-03	Tube Saw Size 3	(3)
OST-CBG-04	Tube Saw Size 4	(4)
OST-CBG-05	Tube Saw Size 5	(5)
OST-CBG-06	Tube Saw Size 6	(6)
OST-CBG-07	Tube Saw Size 7	(7)
OST-CBG-08	Tube Saw Size 8	(8)
OST-CBG-15	Torque Handle	(9)
OST-CBG-16	Small Spike	(10)

OST-CBG-17	Large Spike	(11)
OST-CBG-18	Small Graft Ejector	(12)
OST-CBG-19	Large Graft Ejector	(13)
OST-CBG-20	Small Soft Tissue Obturator	(14)
OST-CBG-22	Large Soft Tissue Obturator	(15)
OST-CBG-24	Small 'Carpal' Guide	(16)
OST-CBG-25	Large 'Carpal' Guide	(17)
OST-CBG-26	Shaft Remover Handle	(18)

Product

CBG Set

Catalogue No.	Description
OST-CBG-SYSTEM	Complete Tray with Instruments

Osteotec Limited

9 Silver Business Park, Airfield Way, Christchurch, Dorset, BH23 3TA

Tel: +44 (0)1202 487 885 Fax: +44 (0)1202 487 886

Web: www.osteotec.co.uk Email: sales@osteotec.co.uk